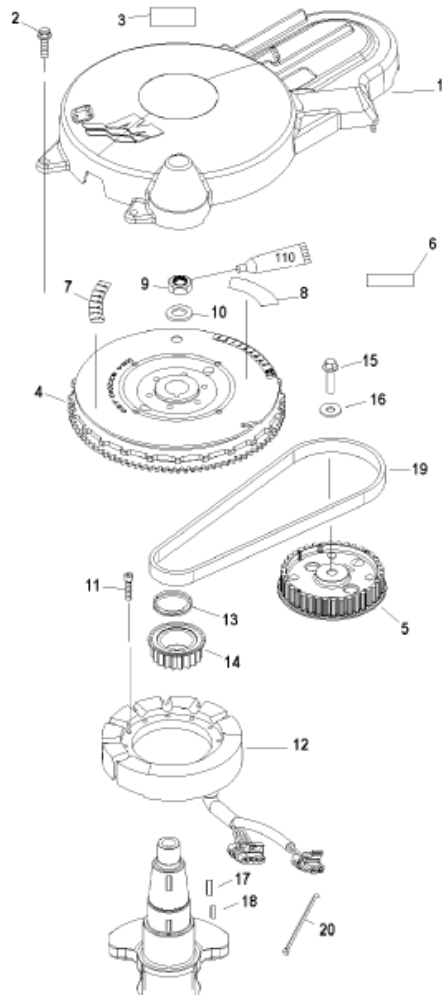


 4-stroke Outboard Oil (92-828000A12)


## Parts List

Ref	Class	Part	Description	Qty	Comment	Footnote
1		859284T 2	FLYWHEEL COVER	1		
2	10	824832 6	SCREW (M6 X 25)	4		
3	37	804655A01	DECAL-EPA INFORMATION	1	(SEE NOTE)	
4	284	832010T14	FLYWHEEL	1		
5		833104 5	DRIVEN GEAR	1		6
6		NSS	DECAL-WARNING SPINNING FLY	1		
7		NSS	DECAL-TIMING MARKS	1		
8		NSS	DECAL-WARNING-NEUTRAL	1		
9	11	81773M	NUT	1		
10	12	84436M	WASHER	1		
11	10	40139 30	SCREW (M5 X 30)	3		
12	398	852387T 7	STATOR	1		
13		834838	LOAD RING	1		
14		833102T	DRIVE GEAR	1		
15	10	827611 40	SCREW (M10 X 40)	1		6
16	12	40023 20	WASHER	1		6
17	28	91800	KEY	1		5
18	28	18856M	KEY	1		5
19		831294	TIMING BELT	1		
20	54	816311T	STA-STRAP	1		
.	61	878344T02	POWERHEAD	1		
.		857082A 5	CYLINDER HEAD ASSEMBLY	1		